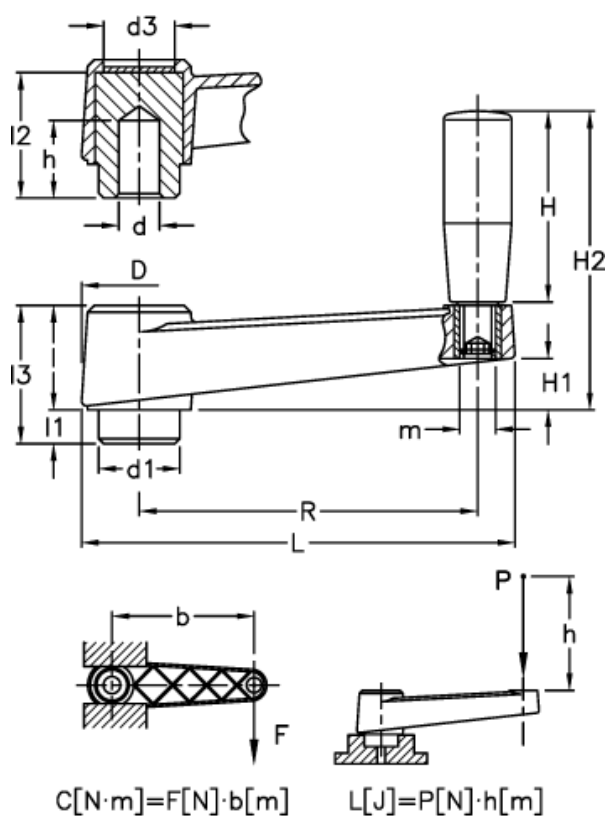


# Data Sheet



Article number: 2301044601  
 Description: E+G Crank handle  
 MT.210

## Measures



|               |            |         |
|---------------|------------|---------|
| C (N m) = 950 | H2 = 136   | R = 212 |
| D = 50        | l = 45     |         |
| d1 = 40       | L = 252    |         |
| d3 = 31       | L (J) = 80 |         |
| d H9 = 12     | l1 = 15    |         |
| H = 90        | l2 = 53    |         |
| h = 30        | l3 = 60    |         |
| H1 = 26       | m = M10    |         |